





Opal Shower Rail With Air Shower II

Finish & SKU

 Brushed Bronze NR251905gBZ	 Graphite NR251905gGR
 Brushed Gold NR251905gBG	 Brushed Nickel NR251905gBN

Specifications

Watermark License

WM-060093

Temperature Rating

Min 1°C-Max 75°C

Pressure Rating

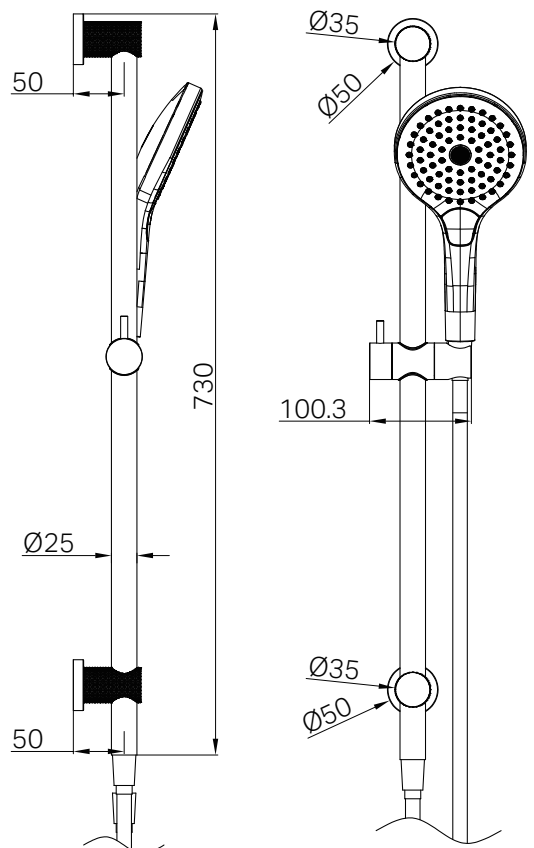
Min 150kpa-Max 500kpa

Warranty



Features

- High quality solid metal rail
- One touch nozzle cleaning
- 3 function handset
- Exposure round rail with built-in water delivery point
- Strong and durable, satin-smooth hose
- Height adjustable handset slider



- Dimensions are nominal measurements only.

Maintenance And Care

- Regularly check the mixer and connections for signs of wear or leaks.
- Clean the tap with mild soapy water to maintain its appearance, avoiding harsh chemicals and abrasive materials that may damage the finish.