







Bianca Shower Mixer

Finish & SKU

 Chrome NR321510bCH	 Brushed Nickel NR321510bBN
 Matte Black NR321510bMB	 Brushed Gold NR321510bBG
 Brushed Bronze NR321510bBZ	 Gun Metal NR321510bGM



Specifications

Watermark License

WM-060073

Temperature Rating

Min 1°C-Max 75°C

Pressure Rating

Min 150kpa-Max 500kpa

Warranty



Features

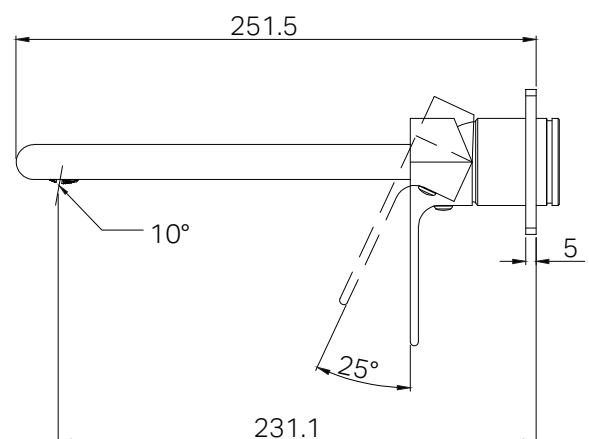
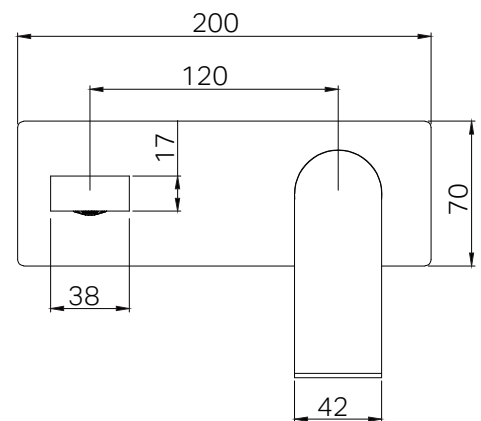
- 35mm ceramic disc cartridge can be adjusted to control water temperature and flow control settings, saving energy
- Solid brass construction for longevity
- Water inlets- 1/2 BSP female
- Suitable for mains pressure installation
- Replaceable trim kits
- Available in different spout lengths
- Packed separately (Body and Trim Kits)
- Includes an additional non-restricting aerator for bath use.

Maintenance And Care

- Regularly check the mixer and connections for signs of wear or leaks.
- Clean the tap with mild soapy water to maintain its appearance, avoiding harsh chemicals and abrasive materials that may damage the finish.



Lead Free



- Dimensions are nominal measurements only.