

75cm Gas COOKTOP

PRODUCT CODE: **ECT75G5X**



FEATURES:

- + Stainless steel finish
- + 5 gas burners with triple ring wok burner
- + Front control knob operation
- + 1 touch electric ignition
- + Fits into 60cm cut out
- + Edge to edge cooking space to maximize pot size
- + One piece hob for ideal cleaning
- + Cast iron trivets
- + Flame failure safety device
- + Natural gas or LPG (jets included)

IDEAL CLEANING

Cook top surface all in a "one piece hob setting" which makes cleaning the cooktop a simple, non-time consuming activity.

CAST IRON TRIVETS

Non-slip, cast iron trivets are standard with this cook top and removable for easy cleaning.

FLAME FAILURE SAFETY DEVICE

The flame failure device is a safety mechanism which ensures the gas is automatically turned off in the case of the flame extinguishing.

ONE TOUCH ELECTRONIC IGNITION

This gas cooktop uses a one touch electronic ignition system. Simply push down the knob and turn and the flame will ignite automatically.

SPECIFICATIONS:

Electrical Requirements	Cooktop is supplied with 10 amp plug & cord.
Gas Rated Pressure:	LPG: 2.75 kPa Natural: 1.00 kPa
Gas Burners:	
- Middle (Wok Burner)	13.00 MJ/h
- Front Right (Semi Rapid Burner)	6.00 MJ/h
- Rear Right (Rapid Burner)	10.00 MJ/h
- Rear Left (Semi Rapid Burner)	6.00 MJ/h
- Front Left (Auxiliary Burner)	4.00 MJ/h
Weight	13.5 kg net / 11.5 kg gross
Product Dimensions	W 750mm x D 510mm x H 101mm
Barcode	9347726025605

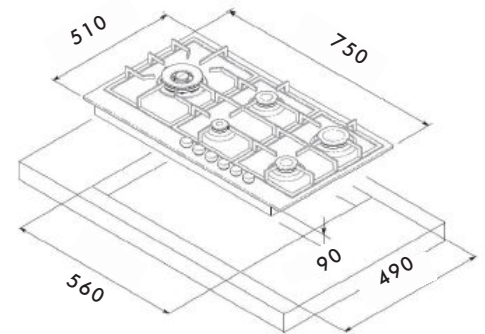


eurocooking



Warranty

INSTALLATION DIAGRAM



INSTALLATION

Please refer qualified installer to our product instruction manual.

SAFETY INFORMATION

- + The appliance may only be installed and connected by licensed gasfitters / authorized persons.
- + Built-in appliances may only be used after they have built in to suitable built-in units and work surfaces that meet local authority standards.
- + Repairs to the appliance must only be carried out by trained registered authorized service persons / engineers.
- + Do not use or store flammable materials near this appliance.