

# 60cm Freestanding Stainless Steel

## DISHWASHER

PRODUCT CODE: **ED6004X**



### FEATURES:

- + 12 place setting
- + Stainless steel finish
- + Slim Panel Design
- + 4 Wash programs
  - + Intensive
  - + Eco
  - + 90 minute
  - + Rapid
- + Extra dry function
- + Delayed Start
- + Child lock
- + Start/Pause function
- + Height Adjustable top basket
- + Concealed heating element
- + Removable top cover
- + 3 star energy rating
- + 4.5 star water rating

### SPECIFICATIONS:

<b>Water Consumption</b>	10.7 Litres per wash (4.5 star water rating)
<b>Energy Usage</b>	267 kwh per year (Cold water connection, using ECO program seven times per week) (3 star energy rating)
<b>Noise Level</b>	49db
<b>Inlet Hose/Drain Hose Length:</b>	1.5m / 1.4m
<b>Water Connection</b>	Cold water (as dishwasher has its own heating element)
<b>Weight</b>	46.0kg (Gross) / 40.5kg( Net )



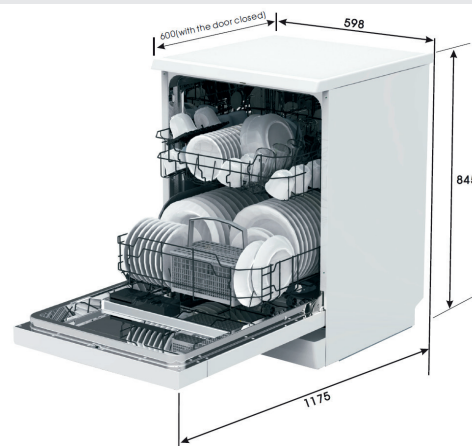
eurowooking

**3**  
YEARS

Warranty

### PRODUCT DIMENSIONS

598mm wide x 600mm depth x 845mm height  
(adjustable feet 20mm)



### KEY FUNCTIONS

#### 12 PLACE SETTINGS

With 12-place settings the ED6004X provides results with greater flexibility allowing you the flexibility to select the correct setting for your dishwashing requirements.

#### 2 LEVEL HEIGHT ADJUSTMENT TOP BASKET

The adjustable top basket can be set higher or lower in the washing baskets, ensuring wash space for those larger cooking utensils and dishes.

#### SIMPLE ELECTRONIC PROGRAM CONTROLLER

This ED6004X dishwasher operates via an electronic push button control. You can select your preferred program by using the electronic push buttons on the top right of the front panel.

#### 4 WASH PROGRAMS

The ED6004X dishwasher provides you with the choice of 4 different wash programs to ensure you can select the type of wash which best suits whether it be those few dirty dishes or after that large dinner party.

### INSTALLATION INFORMATION

Please refer qualified installer to our product instruction manual.

### FILTER CLEANING INFORMATION

Drain pump filter: requires cleaning monthly. This will ensure no interruptions with the dishwasher operation.

**eurowo appliances**

EMBRACE EUROPEAN QUALITY + PASSION

CUSTOMER SUPPORT TOLL-FREE **1800 440 335**

**DISCLAIMER:** Please note that the measurements and model appearances may change at any time. Euro Appliances reserves the right to change the specifications without notice.

[www.eurowoappliances.com.au](http://www.eurowoappliances.com.au)

cooking | laundry | refrigeration | alfresco