

### Nugleam™ 45L Soft Close Laundry Unit

**Bowl:**

- / 45L bowl with centre taphole
- / 304 stainless steel bowl with 25mm internal corner radius
- / 90mm stainless steel basket waste

**Cabinet:**

- / 0.8mm galvanised steel white powder coated unit
- / Reversible soft close door with finger pull functionality, full overlay design and internal floor
- / Pre-punched washing machine hose holes to conceal washing machine drainage hose and taps

**Warranty:**

- Cabinet: 25 years
- Stainless steel bowl: 25 years
- Plug and waste: 1 year

**Overall Dimensions:**

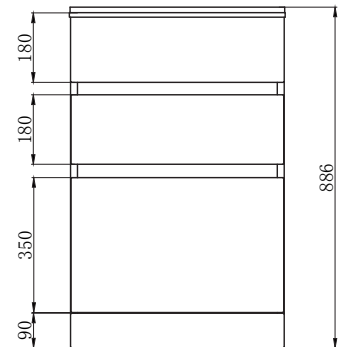
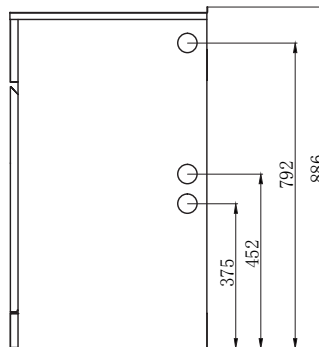
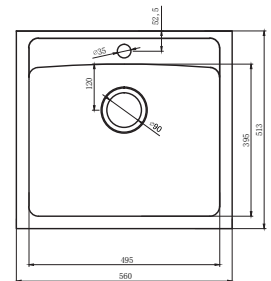
560 W x 870 H x 510mm D

**Weight:**

29kg

**Product Codes:**

71S01 | Nugleam 45L Soft Close Laundry Unit



Disclaimer: All measurement are in millimetres and are solely for reference purposes. Colours have been reproduced with as much accuracy as possible. Any changes resulting from technical advance of design or colour may be made without prior notice. Tapware, accessories and appliances are for illustration purposes only. Further information on warranties is available at [www.everhard.com.au](http://www.everhard.com.au)

Version: 001