

Code ERB120SS – 120cm Alfresco Canopy Rangehood



FEATURES

- 304 grade stainless steel finish
- Electronic buttons with LCD display
- 2000m³/hr motor extraction capacity
- 4 x LED lights
- 3 speed motor
- Commercial style baffle filters
- Decibel rating 56dba – 63dba
- Twin outlet 150mm flue diameter Ø

3 SPEED MOTOR

This range hood provides the option of 3 different speed levels ensuring you have the option to use your range hood at a low, medium or high level of operation.

HIGH EXTRACTION CAPACITY

The extraction capacity of 2000m³/hr provides strength and power to this stylish range hood.

COMMERCIAL STYLE BAFFLE FILTERS

Easy clean, stainless steel baffle filters, are designed to capture all steam & moisture, whilst removing exhaust & odors.



Commercial style baffle filters



LCD display



4 x LED lights

TIPS FOR BETTER USE

- Leave your range hood on for 15 minutes after the cooking of the food to remove all odors, steam etc.
 - The Baffle filters need to be cleaned after approximately 2 months of standard operation
 - It is also recommended that fumes from the range hood be ducted out into the atmosphere.
 - Turn off the range hood before attempting to clean
- Installation recommended by qualified installer.**

ELECTRICAL REQUIREMENT

Range hood is supplied with 10amp cord & plug.

RANGEHOOD VENTILATION KITS

- RHKE65 – Wall – Eave vent kit
- RHKMR65 – Universal metal roof kit, includes flashing
- RHKTR65 – Universal tile roof kit, includes flashing

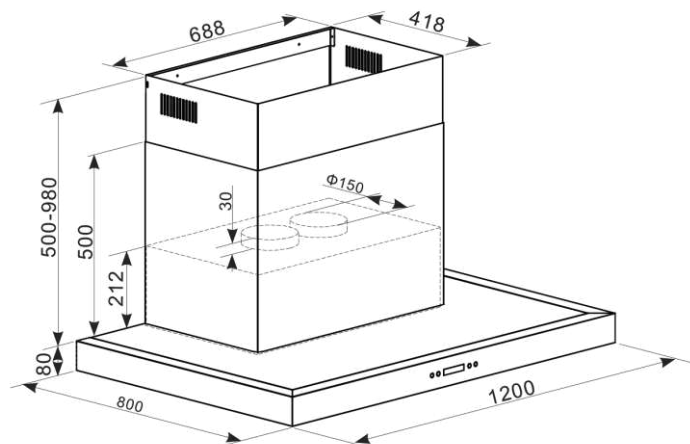
- # Two vent kits needed for this Canopy.
- # This rangehood can not be recirculated.

INSTALLATION INFORMATION:

Warning: This Canopy can be installed in an alfresco area in accordance with the following:

- Installation must be performed by a qualified competent installer.
- The canopy cannot be exposed to rain, moisture or dust.
- Do not install in a location where winds may blow water or dust onto the canopy.
- If installed above a barbecue, the minimum distance from the cooking surface is **1200mm**
- If installed above a cooking appliance, the minimum distance from the cooking surface is **650mm**.

PRODUCT DIMENSIONS



BAFFLE FILTER CLEANING INFORMATION:

Baffle filter: requires cleaning monthly, as this will ensure no interruptions with airflow operation.

